

# TEX RUN

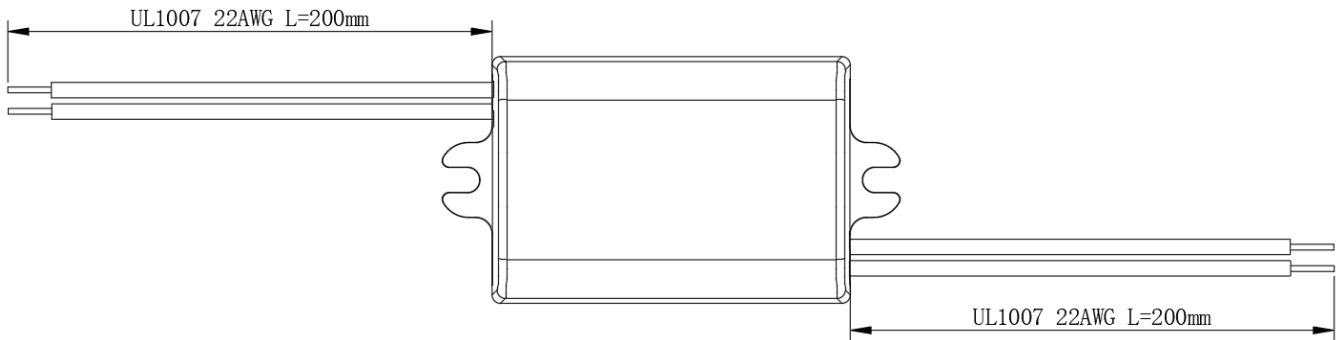
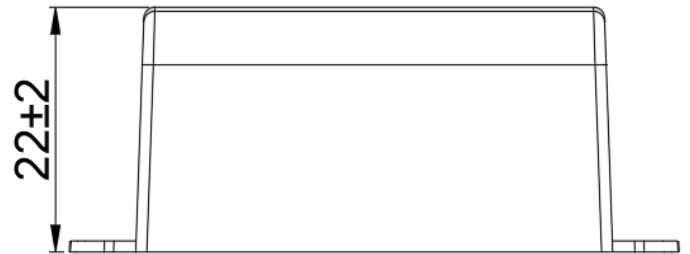
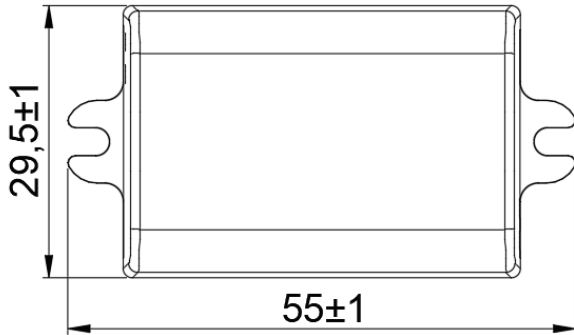
"Technology is Running"

## MLA4-350P-IPC Constant Current LED Driver

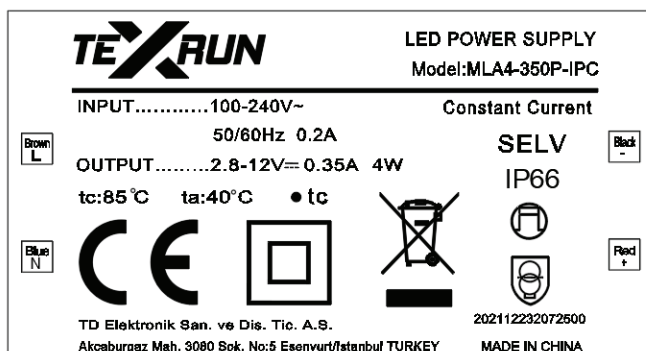


MECHANICAL DRAWINGS

AC Input: UL1007 22AWG / 200mm  
DC Output: UL1007 22AWG / 200mm



LABEL



PACKING

Outside Box: 425L\*280W\*220H  
Quantity: 200PCS/CTN



**ELECTRICAL SPECIFICATIONS**

	Item	Technical Norm
<b>INPUT</b>	Max. Output Wattage	4W
	Rated Input Voltage	100 - 240 VAC
	Range Of Input Voltage	90 - 264VAC
	Frequency (hz)	50/60Hz
	Current	0.2A MAX. @Full Load,
	Start-up Time	<1S for ERP @Full Load
	Unload Power Consumption	≤0.5W
<b>OUTPUT</b>	Unload Voltage	22VDC max
	Load Voltage Rang	2.8 - 12VDC
	Constant Current	350mA
	Constant Accuracy	±10% @100 - 240VAC
	Constant Regulation	≤10%@Full Load
	Hold-up Time	NA
	Efficiency in Full Load	NA
	Ripple	<300mVp-p @Full Load ,100-240VAC
<b>DIMMING</b>	Dimmable Or Not	NA
	Dimmable Or Not	NA
	Dimming Current Range	NA
<b>PROTECTION</b>	Over Load Protection	Protection Type: Auto Restore
	Over Voltage Protection	Protection Type: Auto Restore
	Short Circuit Protection	Protection Type: Auto Restore
	Over Temperature Protection	Protection Type: Auto Restore
<b>HI-POT</b>	Input - Output (V.AC)	3000V/5mA/1min
	Input - FG (V.AC)	NA
	Output - FG (V.AC)	NA
<b>ISOLATION RESISTANCE</b>	Leakage Current	<0.5mA
	Input - Output (V.AC)	≥10MΩ@500VDC
	Input - FG (V.AC)	NA
	Output - FG (V.AC)	NA
<b>ENVIRONMENT LIFE SPAN</b>	tc	85°C
	Storage Temperature	-40°C...+80°C
	Humidity	20%-90%RH
	Life time	>30,000h @50°C
<b>FEATURE</b>	HSF requirement	RoHS
	Dimension (LxWxH)	55x29.5x22 (LxWxH)mm
<b>SEFETY &amp; EMC</b>	Approval	CE
	Safety Standards	EN 61347-1 / EN61347-2-13 / EN60598-1 / EN60598-2-6
	EMI	EN55015 / EN61000-3-2 / Class C EN61000-3-3
		EN61547; EN61000-4-2 8KV; 4KV;
	EMS	Performance Criteria B EN61000-4-5 1000V; Performance Criteria C

**Note:** All parameters NOT specially mentioned are measured at rated input or max rated input, and 25°C ambient temperature