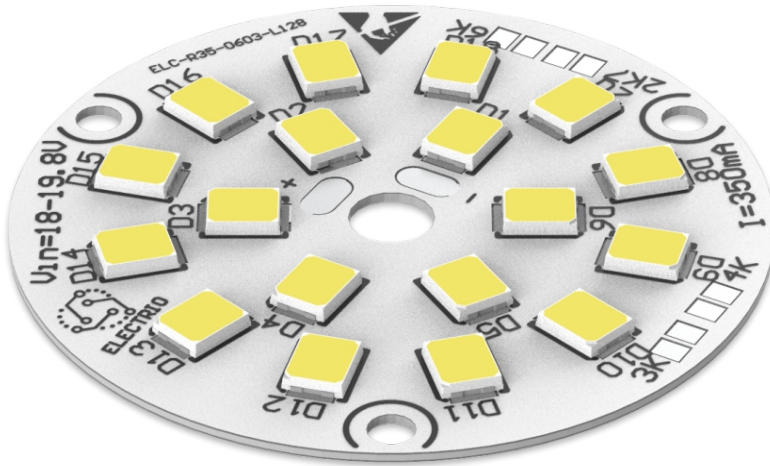


# EC-R35-0603-L128

New Experience Of Lighting

- Lumileds Luxeon 2835 SA-A1 3V
- Constant Color, MacAdams Step 3
- Homogeneous illumination
- Optional PCB Material Selection



- Substrate:ALU/FR4/CEM1/CEM3
- PCB Thickness:1.0/1.6 mm
- Copper Weight:35Um/70Um
- Surface Treatment:HASL/OSP
- Thermal Conductivity:1W/1.2W/1.5W/2W
- Breakdown Voltage:2000V

## Electrical Specification

Product Code	Colour	Luminous Flux TC:25°C Tj:25°C	Forward Voltage Flux Tj:25°C	Serial	Parallel	Power Consumption	Efficacy	CRI
						TC:25°C Tj:25°C	TC: 25°C Tj:25°C	
	(k)	(lm)	(v)			(w)	(lm/w)	(Ra)
Operation Mode at 250 mA								
EC-R35-0603-L128-30-80	3000	756	16.74	6	3	4.19	180.42	80
EC-R35-0603-L128-40-80	4000	786	16.74	6	3	4.19	187.58	80
EC-R35-0603-L128-65-80	6500	776	16.74	6	3	4.19	185.20	80
Operation Mode at 350 mA								
EC-R35-0603-L128-30-80	3000	1030	17.1	6	3	5.99	171.95	80
EC-R35-0603-L128-40-80	4000	1067	17.1	6	3	5.99	178.13	80
EC-R35-0603-L128-65-80	6500	1055	17.1	6	3	5.99	176.12	80
Operation Mode at 500 mA								
EC-R35-0603-L128-30-80	3000	1424	17.58	6	3	8.79	162.00	80
EC-R35-0603-L128-40-80	4000	1468	17.58	6	3	8.79	167.00	80
EC-R35-0603-L128-65-80	6500	1454	17.58	6	3	8.79	165.41	80

\*\*These values are estimated.



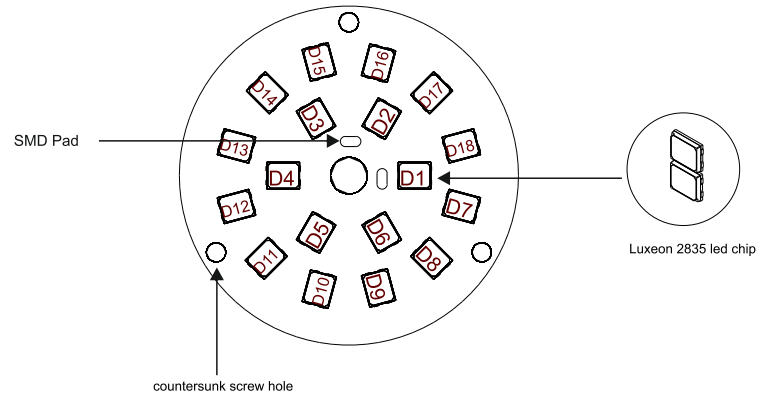
# EC-R35-0603-L128

## Mechanical Specification

New Experience Of Lighting

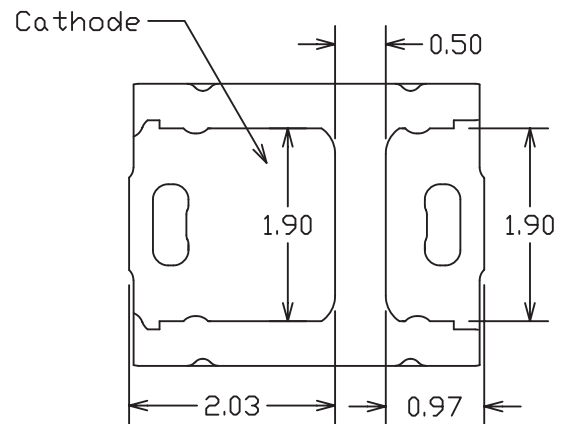
### PCB Specification

- Length:35 mm
- Width:35 mm
- Height:2.25 mm
- Thickness of PCB: 1.6 mm

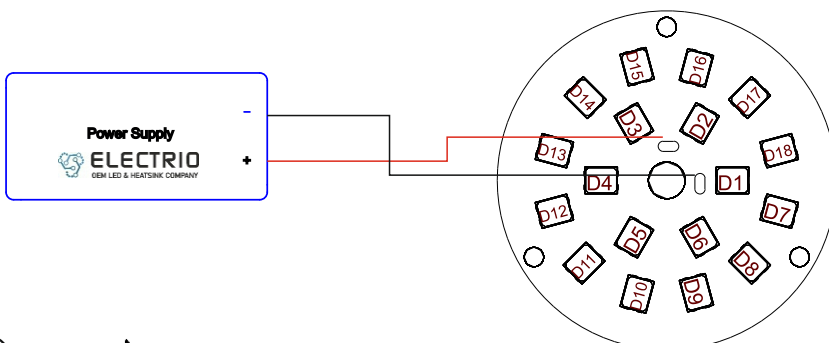


### LEDs Specification

- CRI:80
- IF-Type:65 mA
- IF-Max:200 mA
- Tj-Typ(sorting), Tj-Max:45°C-85°C



## Connection Diagram



# EC-R35-0603-L128

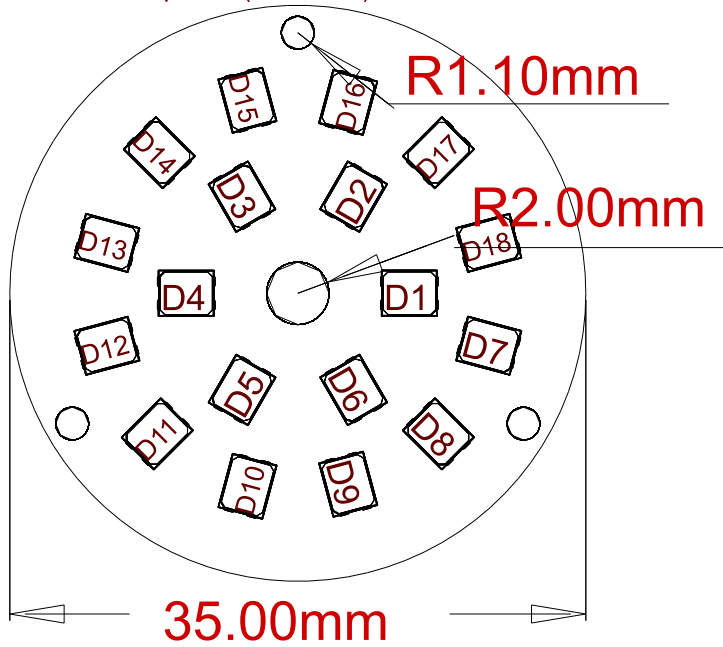
## Mechanical Dimensions

New Experience Of Lighting

View from Front side (Scale 1:1)



View from Top side (Scale 1:1)



View from Bottom side (Scale 1:1)

