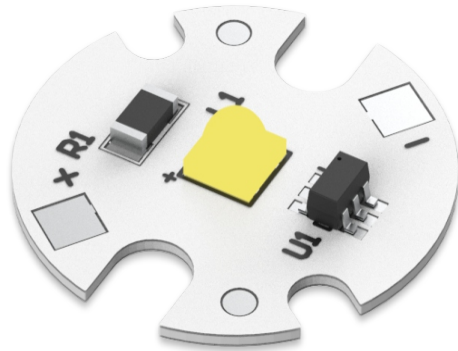


# EC-R20-0101-LH35-12V

New Experience Of Lighting

- Lumileds Luxeon 3535 HL2X
- Constant Color, MacAdams Step 3
- Homogeneous illumination
- Optional PCB Material Selection



**12V**  
CONSTANT  
VOLTAGE

- Substrate:ALU/FR4/CEM1/CEM3
- PCB Thickness: 1.0/1.6 mm
- Copper Weight:35Um/70Um
- Surface Treatment:HASL/OSP
- Thermal Conductivity:1W/1.2W/1.5W/2W
- Breakdown Voltage:2000V

## Electrical Specification

Product Code	Colour	Luminous Flux TC:25°C Tj:85°C	Forward Voltage Flux Tj:85°C	Serial	Parallel	Power Consumption TC:25°C Tj:85°C	Ef cacy TC: 25°C Tj:85°C	CRI
Operation Mode at 500 mA								
EC-R20-0101-LH35-12V-30-70	3000	253	12			6	42.16	70
EC-R20-0101-LH35-12V-40-70	4000	272	12			6	45.33	70
EC-R20-0101-LH35-12V-65-70	6500	264	12			6	44.00	70
Operation Mode at 700 mA								
EC-R20-0101-LH35-12V-30-70	3000	340	12			8.4	40.47	70
EC-R20-0101-LH35-12V-40-70	4000	362	12			8.4	43.09	70
EC-R20-0101-LH35-12V-65-70	6500	355	12			8.4	42.26	70
Operation Mode at 1000 mA								
EC-R20-0101-LH35-12V-30-70	3000	458	12			12	38.16	70
EC-R20-0101-LH35-12V-40-70	4000	484	12			12	40.33	70
EC-R20-0101-LH35-12V-65-70	6500	481	12			12	40.08	70

\*\*These values are estimated.



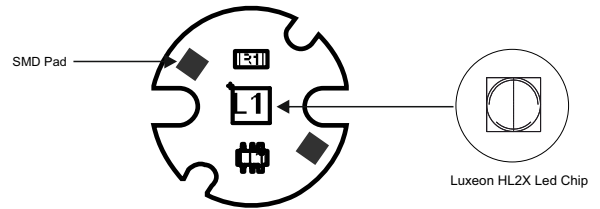
# EC-R20-0101-LH35-12V

## Mechanical Specification

New Expreience Of Lighting

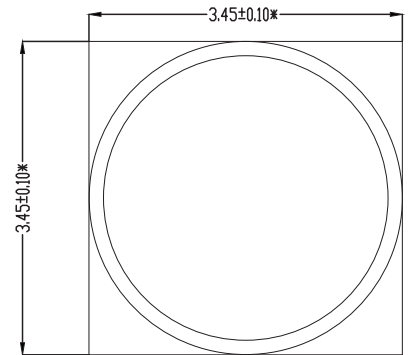
### PCB Specification

- Length:20 mm
- Width:20 mm
- Height:3.865 mm
- Thickness of PCB: 1.6 mm

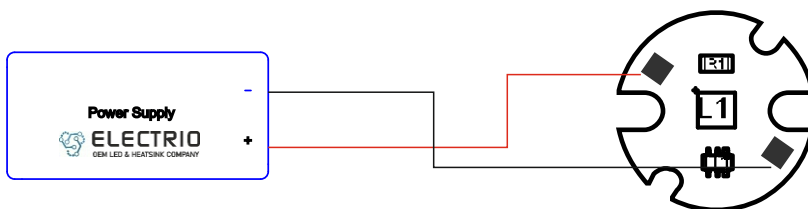


### LEDs Specification

- CRI:70
- IF-Type:700 mA
- IF-Max:2000 mA
- Tj-Typ(sorting), Tj-Max:45°C-85°C



## Connection Diagram



# EC-R20-0101-LH35-12V

## Mechanical Dimensions

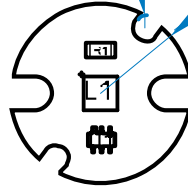
New Expreience Of Lighting

View from Front side (Scale 1:1)



R1.47mm R10.19mm

View from Top side (Scale 1:1)



View from Bottom side (Scale 1:1)

