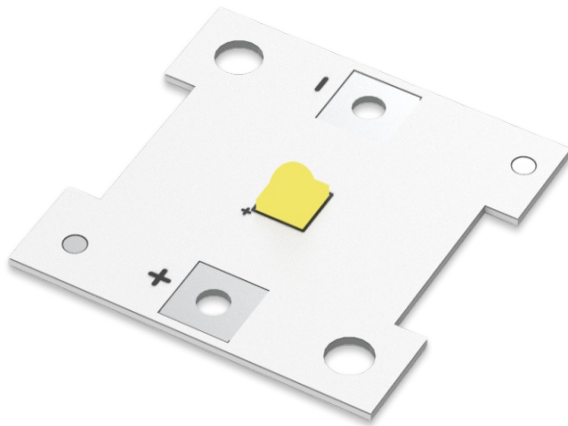


EL-27X27-0101-LH35

New Experience Of Lighting

- Lumileds Luxeon 3535 HL2X
- Constant Color, MacAdams Step 3
- Homogeneous illumination
- Optional PCB Material Selection



- Substrate:ALU/FR4/CEM1/CEM3
- PCB Thickness:1.0/1.6 mm
- Copper Weight:35Um/70Um
- Surface Treatment:HASL/OSP
- Thermal Conductivity:1W/1.2W/1.5W/2W
- Breakdown Voltage:2000V

Electrical Specification

Product Code	Colour	Luminous Flux TC:25°C Tj:85°C	Forward Voltage Flux Tj:85°C	Serial	Parallel	Power Consumption TC:25°C Tj:85°C	Efficiency TC: 25°C Tj:85°C	CRI
	(k)	(lm)	(v)			(w)	(lm/w)	
Operation Mode at 500 mA								
EL-27X27-0101-LH35-30-70	3000	253	2.87			1.43	176.82	70
EL-27X27-0101-LH35-40-70	4000	272	2.87			1.43	189.54	70
EL-27X27-0101-LH35-65-70	6500	264	2.87			1.43	183.97	70
Operation Mode at 700 mA								
EL-27X27-0101-LH35-30-70	3000	340	2.91			2.03	167.00	70
EL-27X27-0101-LH35-40-70	4000	362	2.91			2.03	177.79	70
EL-27X27-0101-LH35-65-70	6500	355	2.91			2.03	174.23	70
Operation Mode at 1000 mA								
EL-27X27-0101-LH35-30-70	3000	458	2.97			2.97	154.46	70
EL-27X27-0101-LH35-40-70	4000	484	2.97			2.97	163.04	70
EL-27X27-0101-LH35-65-70	6500	481	2.97			2.97	161.95	70

**These values are estimated.



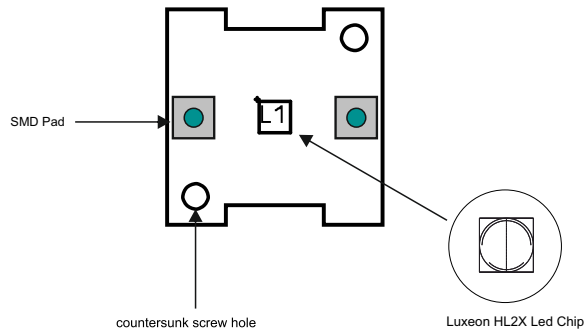
EL-27X27-0101-LH35

Mechanical Specification

New Experience Of Lighting

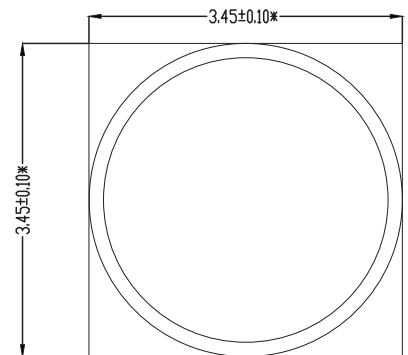
PCB Specification

- Length: 26.5 mm
- Width: 26.5 mm
- Height: 3.865 mm
- Thickness of PCB: 1.6 mm

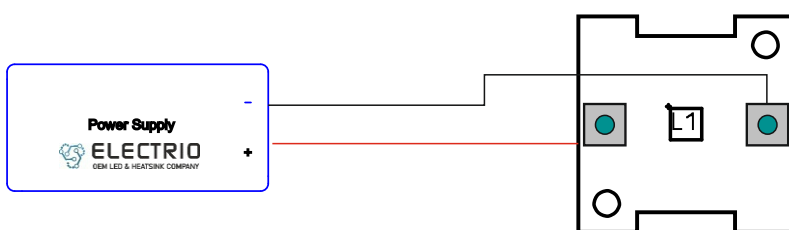


LEDs Specification

- CRI: 70
- IF-Type: 700 mA
- IF-Max: 2000 mA
- Tj-Typ(sorting), Tj-Max: 45°C-85°C



Connection Diagram



EL-27X27-0101-LH35

Mechanical Dimensions

New Exprience Of Lighting

